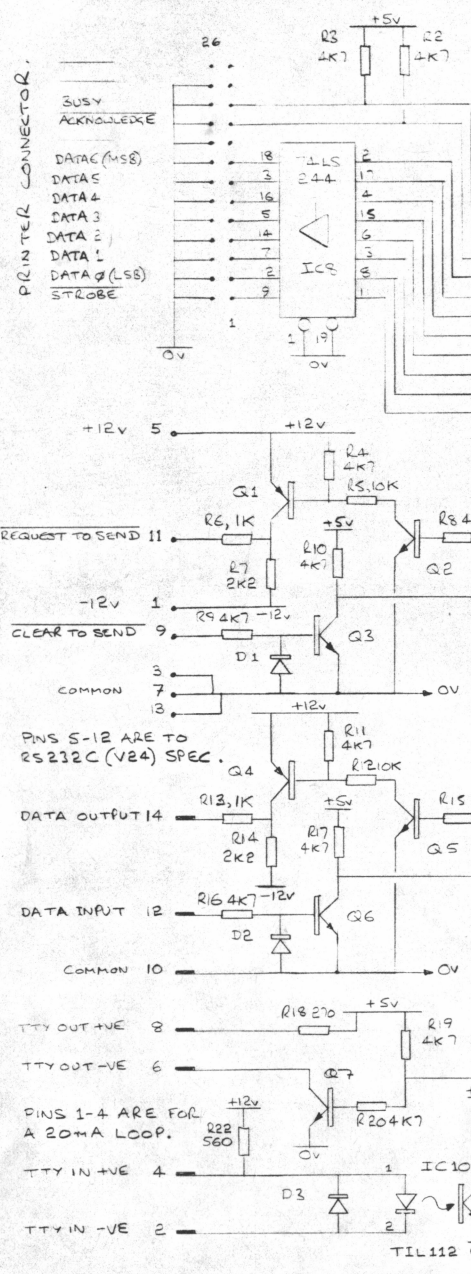
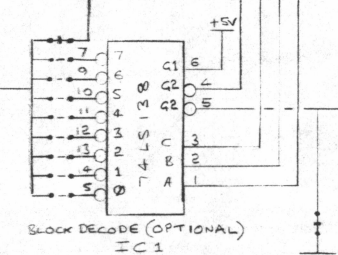
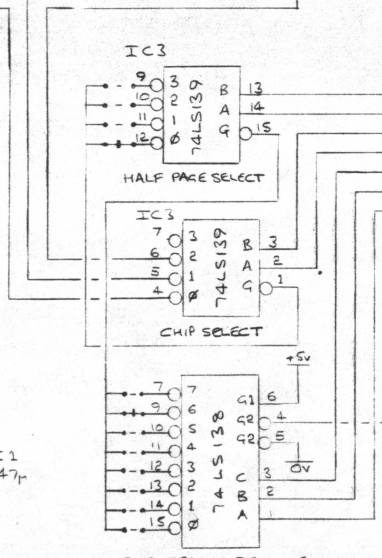
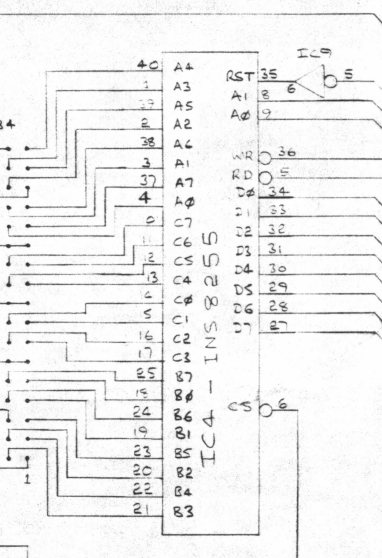
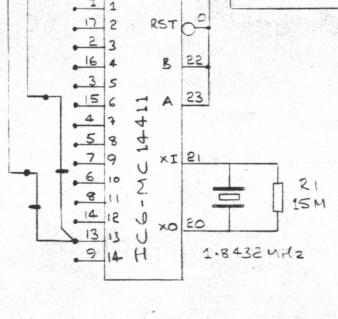
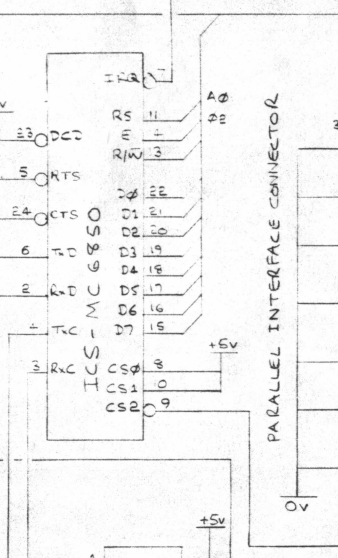
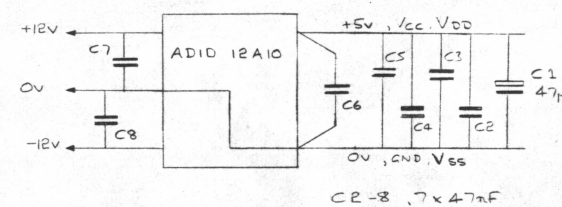


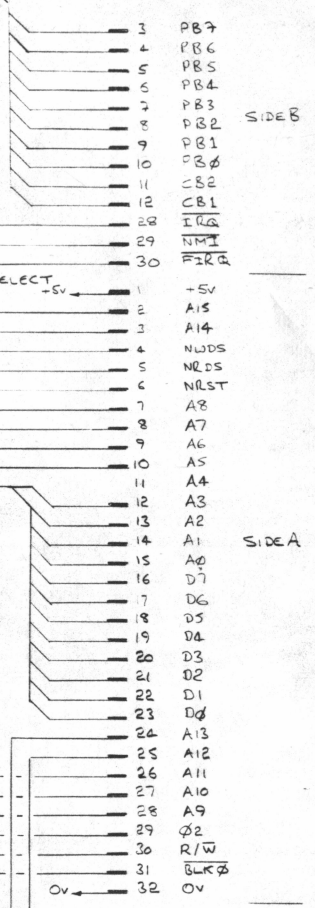
PRINTER CONNECTOR.



DI-3...1N4148
Q2,3,5,6+7...8C184,8C107,8C237
Q1,Q4...8C214,8C170,8C307



PARALLEL INTERFACE CONNECTOR



SIDE B

SIDE A

SIDE B

ISSUE	A	B	1	2
DATE	03-10-79	26-10-79	04-01-80	3-3-80

© COPYRIGHT 1979
ACORN COMPUTERS LTD
4A, MARK
CAMBRIDGE,
TEL 0223-312772

DCN
C8T
DATE
03-10-79

TITLE
VERSATILE INTERFACE
BOARD

REF
200.009/C
ACORN COMPUTERS LTD